

Isolator Core

Features

Polarization Independent
 Low PDL
 Low PMD
 High Isolation
 Optical Path Epoxy Free
 Environmentally Stable

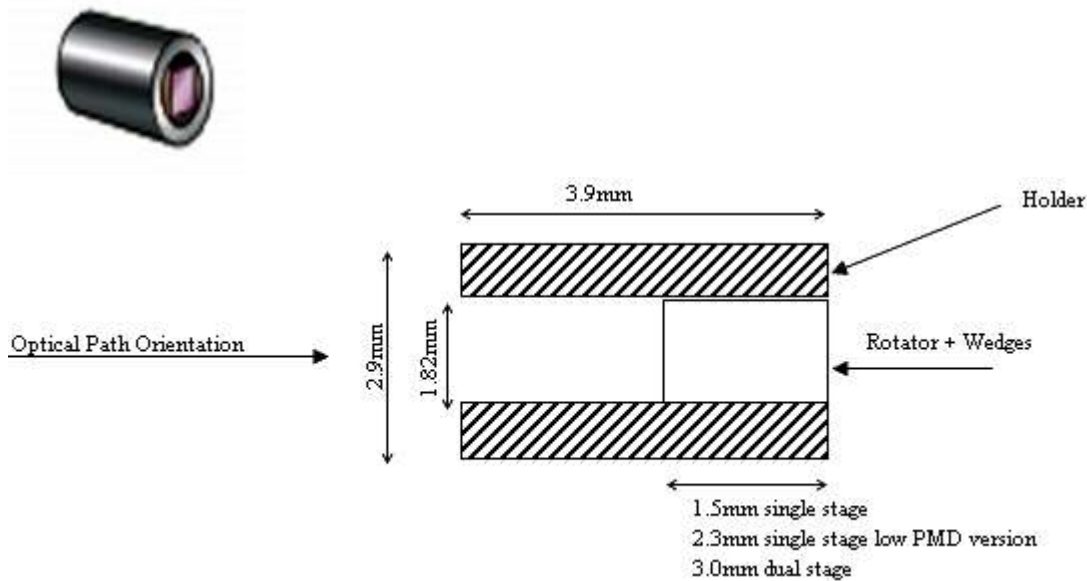
Applications

Isolators
 Hybrid Isolators

Specifications

Parameter		Single stage	Dual stage	Single Stage	Dual Stage
Center Wavelength		1310/1550		1060	
Insertion loss (λ_c , at 23°C)	Max	0.18dB	0.28dB	1.0	2.0
Isolation (λ_c , at 23°C)	Min	40dB	50dB	35	50
PDL	Max	0.05dB	0.05dB	0.05	0.05
PMD	Max	0.05 ps	0.05 ps	----	----
O.D.	ϕ 3.0mm				
I.D.	ϕ 1.8mm				
Clear Aperture	>0.9mm				
Dimension	3(OD)x1.8(ID)x3.0(L)for single stage 3(OD)x1.8(ID)x4.0(L)for dual stage				

Imagine



Ordering Information

CR	type	Wavelength	Grade	Metal Tube	Crystal Unit Location
	S=single stage D=dual stage	13=1310nm 15=1550nm xx=others	A=Grade A P=Grade P	0=None 1=Yes	1=Near input side 2=in the middle of the Magnetic Ring 3=Near Output Side